



**Supplied By America!**

Invertek Controller Made In England  
ABB Controller Made Overseas - Final Assembly In US - Blade Raw Material US or Canadian

Catalog  
Number:

Notes:

## Z-TECH™ FAN

Type of Fan:

### FEATURES & SPECIFICATIONS

**Z-TECH™ INTENDED USE:** Ideal for spaces that need air movement to deliver optimum people comfort, safety, and productivity while enabling energy savings, material and labor cost avoidance resulting in the lowest total cost of ownership. Applications include warehousing, manufacturing, gymnasiums, agriculture and other indoor spaces with minimum 14 FT ceiling height.

**Z-TECH™ INTENDED USE:** The highly engineered, game changing combination of proven technologies brought to you exclusively by Go Fan Yourself! Use your Z-Tech™ fan to temper the air feeding the fan to provide the only true "cooler than ambient" breeze in the HVLS fan market. Heat is also available for spot control of important areas of virtually any facility. Control Z-TECH™ with your building management system and your VividAir solution is only limited by your imagination!

**NUMBER & TYPE OF BLADES:** (5) patented Z-Tech™ blades with 20° plus pitch.

**BLADE CONSTRUCTION:** Extruded anodized aluminum blade with ABS leading edge and end caps with UV inhibitors. Frame is powder coated steel with a cast aluminum hub. Blade leading edge color is VividAir orange.

**ELECTRICAL (MOTOR):** Superior motor built specifically for Go Fan Yourself. Designed for use with variable frequency drives; wound with 392° (200°C) moisture resistant Inverter Spike Resistant (ISR) magnetic wire. Dramatically extends the life of the motor compared to motors with non-ISR wire.

**ELECTRICAL (CONTROLLER):** Premium control with hardware flexibility, programmability, and scalability for an optimal solution. Variable Frequency Drive – Nema 4X, IP66. ESFR relay ready to connect to existing fire suppression systems, integral LOTO (lock-out, tag-out) disconnect ship standard. ROHS compliant. 208-230v or 460v-480v standard.

**INSTALLATION:** Suitable for mounting by I-Beam, Top Chord angle iron, Bottom Chord angle iron, L-Bracket, and Z-Purlin. Standard mount is used for 6"-10" I-beams, XL mount is used for 12"-15" I-beams. 1 FT down tube is standard.

**SAFETY:** Z-TechSS™ safety system makes VividAir the safest fan on the market. Safety ring (1/4" powder coated steel), five blade stabilizer plates (1/4" plate steel)

**LISTINGS:** Motor: IP55 H or F Rated Insulation  
Controller: NEMA 4X, IP66

**DESIGNER SERIES:** Optional color & designs available.

**OPERATING TEMPERATURES:**

Motor & Gearbox: = 7° C (20° F) to 60° C (140° F)  
Controller: = 7° C (20° F) to 50° C (122° F)

**WARRANTY:** Lifetime warranty on blades, hub and mounting system. 15-year warranty on motor, gearbox and controller. Complete warranty terms located at [www.gofanyourself.com/company/warranty](http://www.gofanyourself.com/company/warranty).

## Z-TECH™ FAN



## Z-TECH™ FAN WITH Z-CHILL™





Invertek Controller Made In England  
ABB Controller Made Overseas - Final Assembly In US - Blade Raw Material US or Canadian

**Number and Type of Blades:** 5 patented Z-Tech™ blades with 20° plus pitch.

**Blade Construction:** Extruded anodized aluminum blade with ABS leading edge and end caps with UV Inhibitors.

Nominal Fan Diameter:	8 FT	10 FT	12 FT	14 FT	16 FT	18 FT	20 FT	22 FT	24 FT
Fan Weight:	285 lbs	295 lbs	305 lbs	315 lbs	325 lbs	365 lbs	375 lbs	385 lbs	395 lbs
Nominal Motor:	2 hp	2 hp	2 hp	2 hp	2 hp	2 hp	2 hp	2 hp	2 hp
Nominal RPM:	100	100	100	76	76	76	66	55	55
Max. De-stratification Coverage:	80 FT	100 FT	120 FT	140 FT	160 FT	180 FT	200 FT	220 FT	240 FT
Max. Cooling Diameter:	70 FT	90 FT	110 FT	125 FT	140 FT	160 FT	165 FT	165 FT	180 FT
Nominal Amperage:	2.65 A	2.65 A	2.65 A	2.65 A	2.65 A	3.5 A	3.5 A	3.5 A	3.5 A

**Standard or Optional XL Mount:** Clamp standard to 6" to 10" I-Beams. XL Mount fits 12" to 15" I-Beams.

**ABB VFD Controller:** Universal I-beam clamps; Down Tubes from 1-10 FT in length.

Premium motor control with hardware flexibility, programmability and scalability for an optimal solution.  
ROHS compliant, ESFR relay ready, integral LOTO disconnect and IP66 Nema 4X rated.

**Safety Features:** Safety ring (1/ 4" powder coated steel), Z-Tech SS

**Warranty<sup>1</sup>:** 15-year on motor, gearbox and control panel.  
Lifetime on blades, hub and mounting system.

**FOOTNOTES:**

1) See Installation & Technical Operations Guide for warranty specifications/exclusions (prorated/limited).

**Example Part Number: GFY-Z-24-460-3-1-STD-T**

Family	Style	Diameter	Voltage	Phase	Down Tube	Mount	Mounting Kit	Options
GFY	Z Z-Chill <sup>1,9,17</sup>	8 (8 FT) 10 (10 FT) 12 (12 FT) 14 (14 FT) 16 (16 FT) 18 (18 FT) 20 (20 FT) 22 (22 FT) 24 (24 FT)	230 <sup>2</sup> 460 <sup>2</sup>	1 (Single) <sup>2</sup> 3 (Three) <sup>2</sup>	1 (1 FT) <sup>3</sup> 2 (2 FT) 3 (3 FT) 4 (4 FT) <sup>4</sup> X (X FT) <sup>5</sup>	STD (6"-10" Beam) <sup>6</sup> XL (12"-15" Beam) <sup>7</sup>	T (Truss/I-Beam) <sup>8</sup> Z (Z-Purlin) <sup>8,15</sup> WB (Wood Beam) <sup>16</sup> (Concrete Beam) <sup>16</sup>	DS <sup>11,19,20</sup> (Designer Series) (enter 1, 2, 3, 4, or C) <sup>10</sup> (enter HUB or S for Hub paint or Sticker Only) WM <sup>12</sup> (Wall Mount Keypad) CP <sup>13</sup> (Custom Programming) FM <sup>14,18</sup> (VFD Field Mounted to Fan Frame)

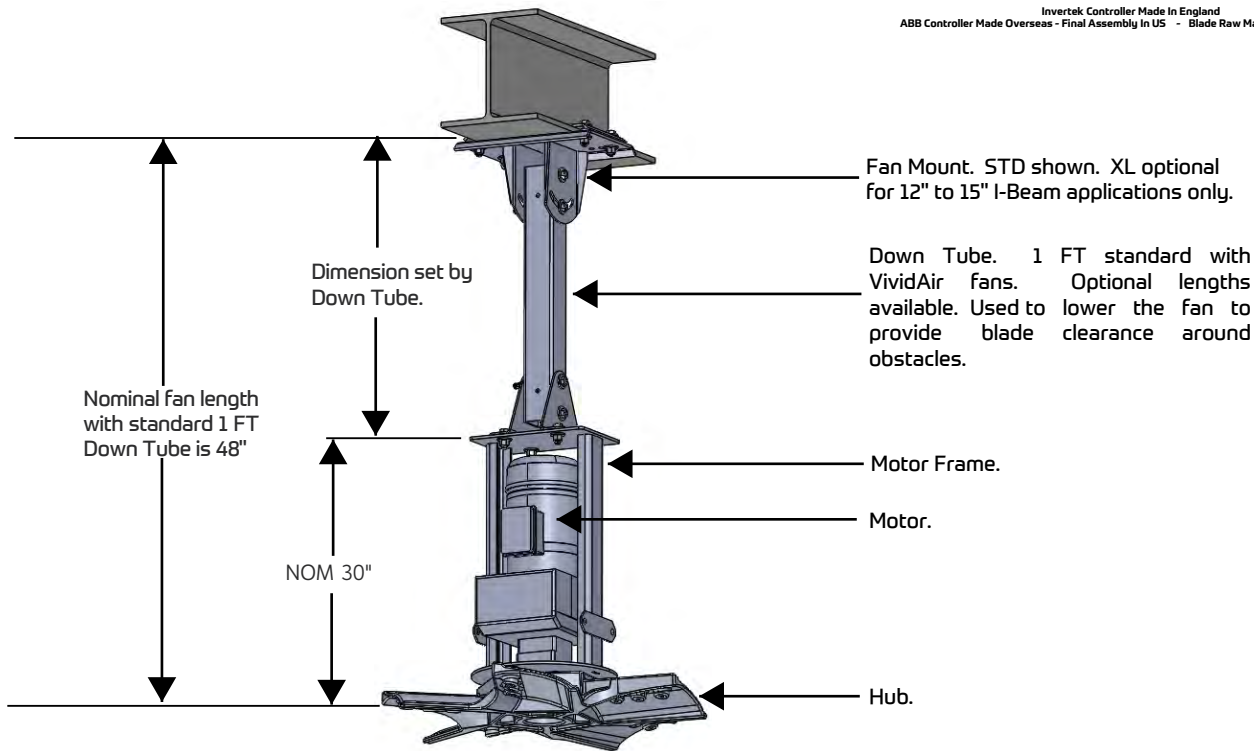
**FOOTNOTES**

- 1) Z-Chill™ ships with the maximum 3ft downtube standard. A 2 FT downtube is optional.
- 2) Available voltages:
  - a) Three Phase Applications: 200-240VAC | 380-480VAC
  - b) Single Phase Applications: 200-240VAC
- 3) 1 FT Down Tube is standard with all VividAir Z-Tech™ fans (see note 15). If ordering the optional Z-Chill™ a 3 FT Down Tube will ship standard.
- 4) Down Tubes longer than 3 FT require a Guy Wire Kit shipped automatically with the Down Tube.
- 5) Consult the factory for Down Tubes longer than 4 FT.
- 6) Use STD mount for optional Truss Mount, Z-Purlin Mount and Wood / Concrete Beam Mounts (consult a local structural engineer for all concrete beam fan mounts).
- 7) XL Mount is only used for 12"-15" I-beam applications.
- 8) Truss Mount and Z-Purlin Mounts require contractor supplied 3"x3"x1/4" steel angles cut to size. See pages in this spec sheet or the Installation and Technical Operations Guide for greater detail.
- 9) Z-Chill™ only available on Z-Tech™ fans 16 FT in diameter and larger.
- 10) Designer Series Options (see paperwork in this spec sheet for greater detail, pictures of Designer Series Fans and ordering information):
  - a) Option #1 - Motor and all (5) Z-Tech™ leading edges a standard VividAir RAL color. Customer logo to replace VividAir logo on hub.
  - b) Option #2 - Motor and (3) Z-Tech™ leading edges one standard VividAir RAL color, (2) Z-Tech™ leading edges another standard VividAir RAL color. Customer logo to replace VividAir hub logo.
  - c) Option #3 - Motor and all (5) Z-Tech™ leading edges a standard VividAir RAL color. Aluminum Blades one standard VividAir RAL color. Customer logo to replace VividAir logo on hub.
  - d) Option #4 - Motor and (3) Z-Tech™ leading edges one standard VividAir RAL color, (2) Z-Tech™ leading edges another standard VividAir RAL color. Aluminum Blades one standard VividAir RAL color.  
Customer logo to replace VividAir hub logo.
  - e) Custom Option: Motor MUST be a standard VividAir RAL color. Z-Tech™ leading edges and aluminum blades may be a custom color. Customer logo to replace VividAir hub logo.
- 11) Designer Series fans have custom lead times. Consult the factory to receive a lead-time quote for your desired option.
- 12) Allows the control keypad to be wall mounted away from the ABB controller. Keypad mounts inside a VividAir custom mount. Kit ships complete with 10 FT and 100 FT CAT5 data cable. Maximum cable length is 300ft. Longer CAT5 data cables to be supplied by installing contractor.
- 13) Consult the factory as an extended lead time will apply. Customer's team and VividAir's team must communicate so programming details may be identified. There may be additional hardware or software charges. Not all programming options may be available on every control. Navigator control system included under "Custom Programming".
- 14) Optional fan mounted VFD. ABB VFD control mounting bracket and hardware ships with fan to be field installed by the contractor. Contractor needs only run power to the fan location, mount the bracket to the fan, mount the controller to the bracket and make the standard electrical connections. Wall Mount Keypad Kit ships with a 100' CAT 6 data cable. Longer cables are installing contractor provided.
- 15) Z-Purlin and Top Chord Mount applications require a 2 FT Down Tube for all Z-Tech™ fans 18 FT and larger to provide the fan the required 5 FT minimum clearance above the blades.
- 16) Contact a local structural engineer for all concrete and wood beam applications to verify the beam will support the fan with the prescribed mounting system.
- 17) Z-Chill™ equipped fans must not be hung with the Z-Purlin Kit. Z-Chill™ equipped Z-Tech™ fans must mount to the I-Beams in Z-Purlin applications.
- 18) Fan Mounted VFD option is not available with Z-Chill™
- 19) Designer Series has been expanded to include painting the hub. Same standard colors and optional colors apply.
- 20) Designer Series Hub Logo Only - If customer wants only a custom logo sticker on the bottom of the hub. No custom paint on any fan component.



**Z-TECH™ FAN**  
**NOMINAL DIMENSIONS**  
**COMPONENT DESCRIPTIONS**  
**Supplied By America!**

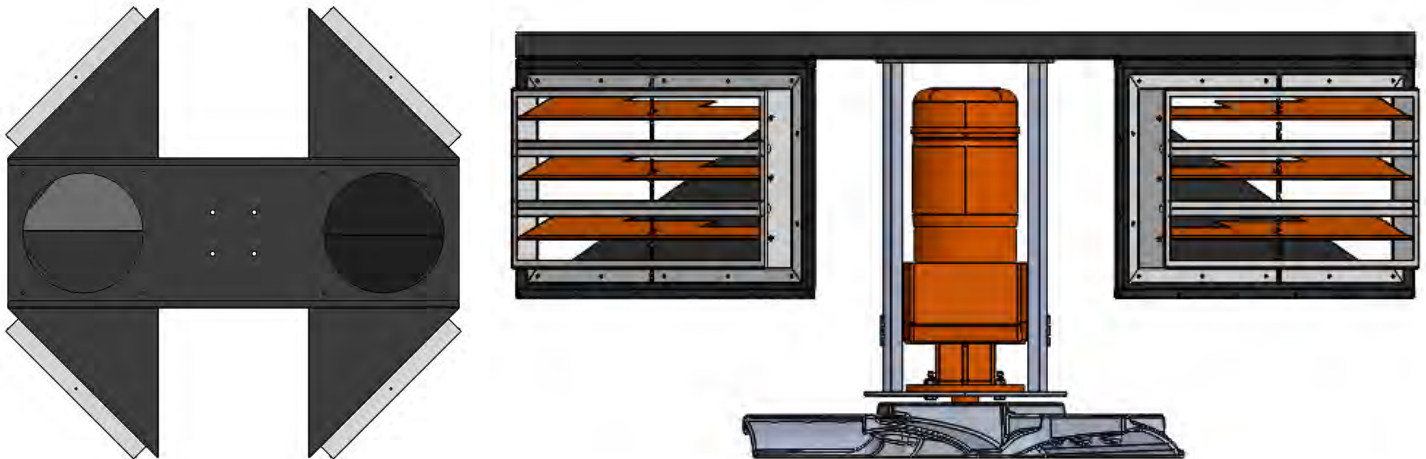
Invertek Controller Made In England  
 ABB Controller Made Overseas - Final Assembly In US - Blade Raw Material US or Canadian



Follow the Factory Mutual Insurance Company (FM Global) standards, Heating equipment manufacturer's guideline and safety standards such as those published by the National Fire Protection Association (NFPA), and the American Society for Heating, Refrigeration and Air Conditioning Engineers (ASHRAE), and local code authorities.

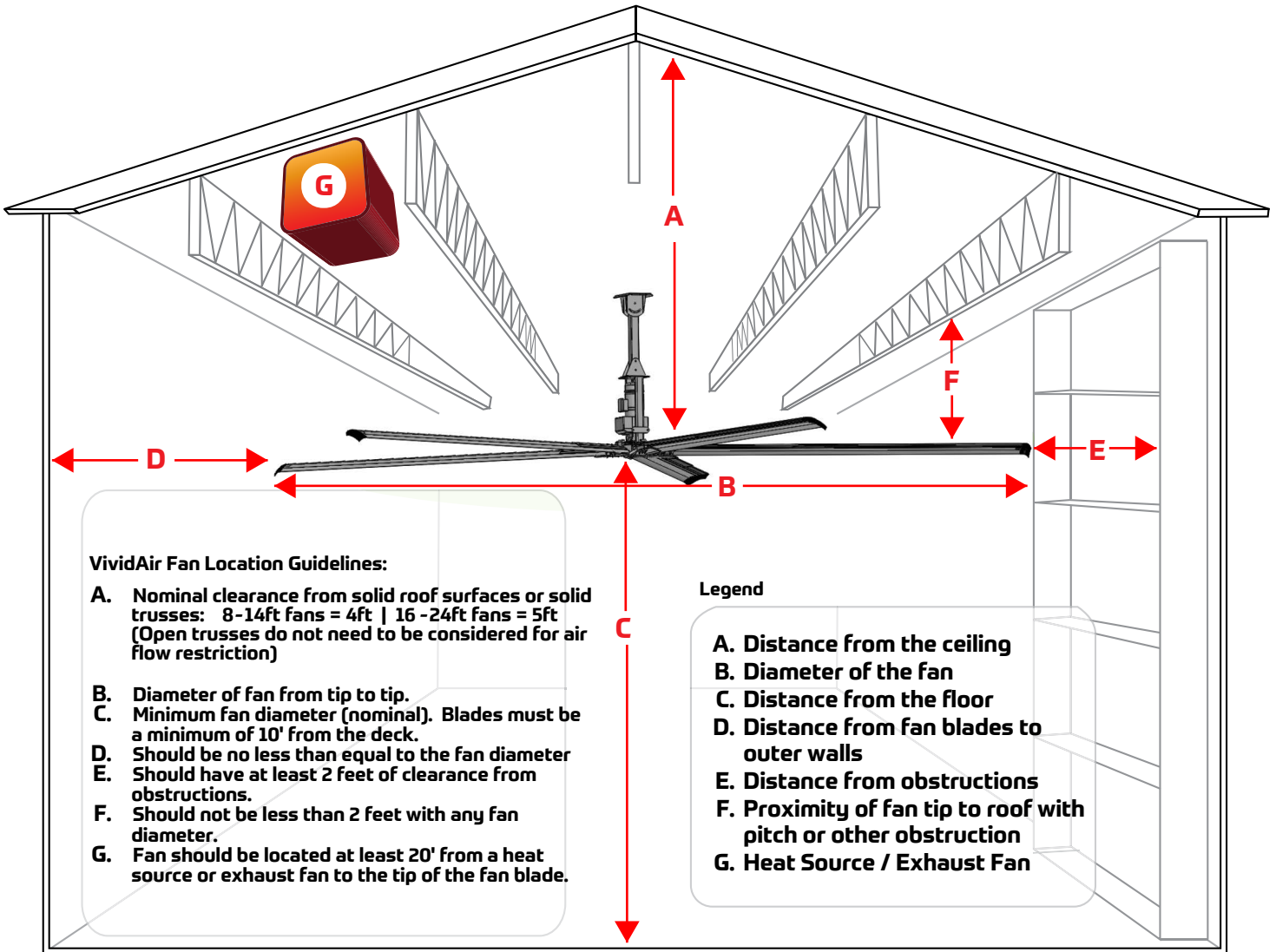
**Z-CHILL™**

VividAir's patented revolutionary tempered air delivery system. Z-Chill™ is a highly engineered vent/louver system that delivers tempered air to VividAir's Z-Tech™ fan. Cool air, hot air, or both can be introduced into the top of your Z-Tech™ fan and optimally spread across the Z-Chill™ coverage area. Z-Chill™ is the most innovative product to hit the HVLS fan market since 1996 when the first HVLS fan was made. Easily installs with any VividAir Z-Tech™ fan. A 2 FT down tube is required and will ship automatically with every Z-Chill™. Available with new Z-Tech™ fans or retrofit existing Z-Tech™ fans.





Invertek Controller Made In England  
 ABB Controller Made Overseas - Final Assembly In US - Blade Raw Material US or Canadian



**VividAir Fan Location Guidelines:**

- A.** Nominal clearance from solid roof surfaces or solid trusses: 8-14ft fans = 4ft | 16-24ft fans = 5ft (Open trusses do not need to be considered for air flow restriction)
- B.** Diameter of fan from tip to tip.
- C.** Minimum fan diameter (nominal). Blades must be a minimum of 10' from the deck.
- D.** Should be no less than equal to the fan diameter
- E.** Should have at least 2 feet of clearance from obstructions.
- F.** Should not be less than 2 feet with any fan diameter.
- G.** Fan should be located at least 20' from a heat source or exhaust fan to the tip of the fan blade.

**Legend**

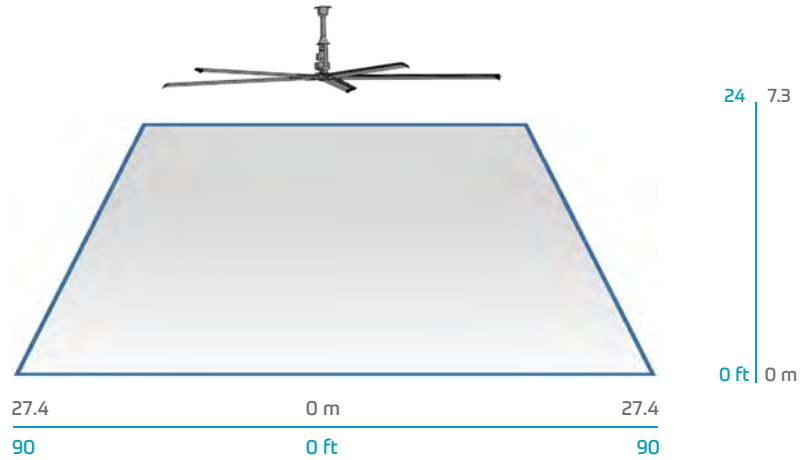
- A.** Distance from the ceiling
- B.** Diameter of the fan
- C.** Distance from the floor
- D.** Distance from fan blades to outer walls
- E.** Distance from obstructions
- F.** Proximity of fan tip to roof with pitch or other obstruction
- G.** Heat Source / Exhaust Fan



Invertek Controller Made In England  
 ABB Controller Made Overseas - Final Assembly In US - Blade Raw Material US or Canadian

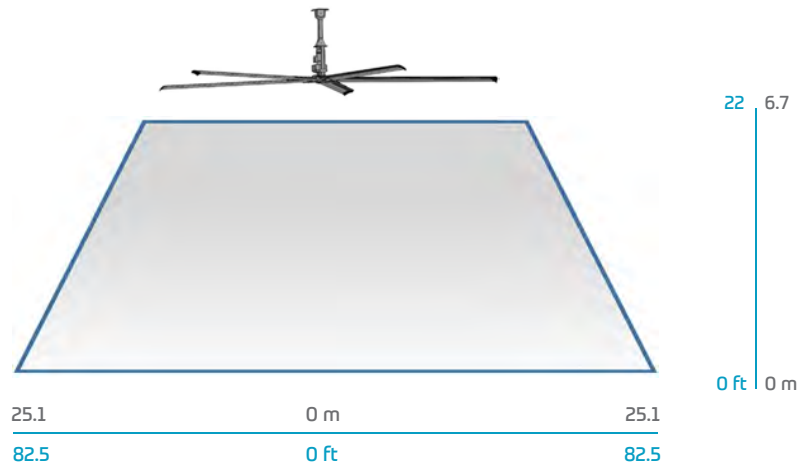
**24' Diameter Fan (nominal)**

- 1) Number of Blades: 5 Patented Z-Tech™ Blades
- 2) Blade Pitch: 20°+
- 3) Minimum Blade Height: 24 FT (Blade from Floor)
- 4) Maximum Cooling Diameter: 180 FT
- 5) Maximum Destratification Coverage: 240 FT
- 6) Nominal Rotations Per Minute: 55 RPM
- 7) Nominal Motor: 2.0 HP (2.2kW)
- 8) Nominal Amps: 3.5A@480V
- 9) System Weight: 395 lbs
- 10) Maximum Mounting Distance Between Fans: 165 FT
- 11) Nominal Clearance From Solid Roof Surfaces: 5 FT



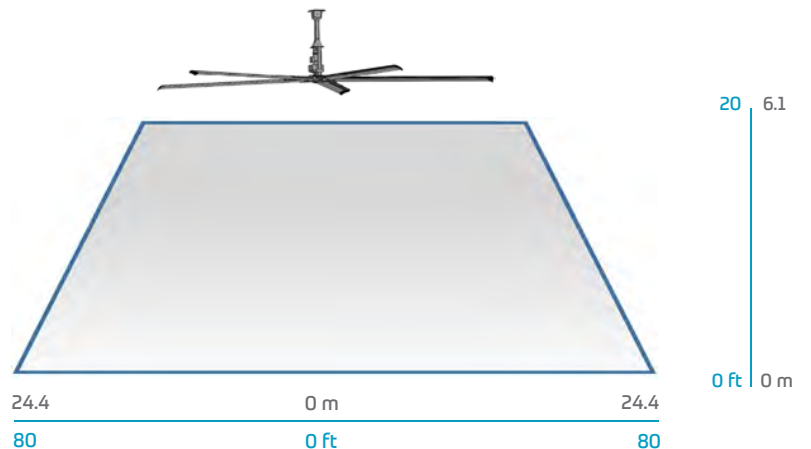
**22' Diameter Fan (nominal)**

- 1) Number of Blades: 5 Patented Z-Tech™ Blades
- 2) Blade Pitch: 20°+
- 3) Minimum Blade Height: 22 FT (Blade from Floor)
- 4) Maximum Cooling Diameter: 165 FT
- 5) Maximum Destratification Coverage: 220 FT
- 6) Nominal Rotations Per Minute: 55 RPM
- 7) Nominal Motor: 2.0 HP (2.2kW)
- 8) Nominal Amps: 3.5A@480V
- 9) System Weight: 385 lbs
- 10) Maximum Mounting Distance Between Fans: 150 FT
- 11) Nominal Clearance From Solid Roof Surfaces: 5 FT



**20' Diameter Fan (nominal)**

- 1) Number of Blades: 5 Patented Z-Tech™ Blades
- 2) Blade Pitch: 20°+
- 3) Minimum Blade Height: 20 FT (Blade from Floor)
- 4) Maximum Cooling Diameter: 160 FT
- 5) Maximum Destratification Coverage: 200 FT
- 6) Nominal Rotations Per Minute: 66 RPM
- 7) Nominal Motor: 2.0 HP (2.2kW)
- 8) Nominal Amps: 3.5A@480V
- 9) System Weight: 375 lbs
- 10) Maximum Mounting Distance Between Fans: 150 FT
- 11) Nominal Clearance From Solid Roof Surfaces: 5 FT

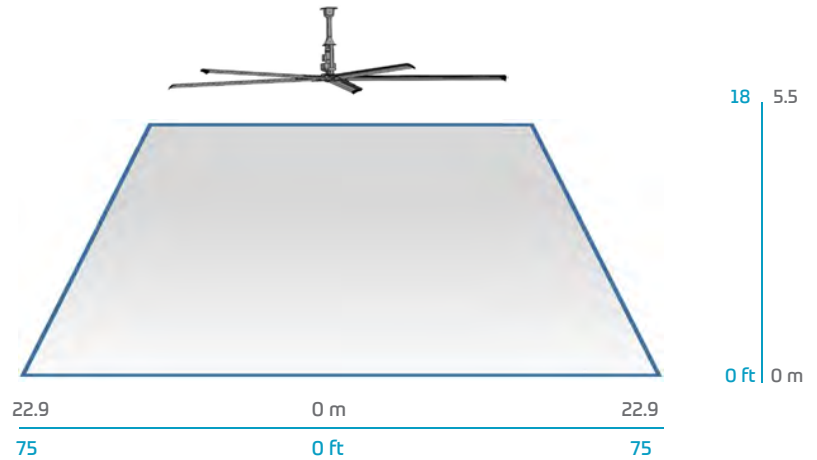




Invertek Controller Made In England  
 ABB Controller Made Overseas - Final Assembly In US - Blade Raw Material US or Canadian

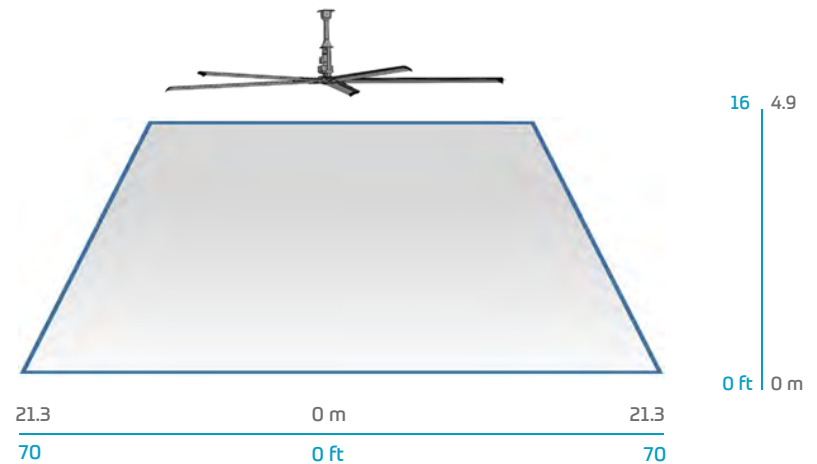
**18' Diameter Fan (nominal)**

- 1) Number of Blades: 5 Patented Z-Tech™ Blades
- 2) Blade Pitch: 20°+
- 3) Minimum Blade Height: 18 FT (Blade from Floor)
- 4) Maximum Cooling Diameter: 150 FT
- 5) Maximum Destratification Coverage: 180 FT
- 6) Nominal Rotations Per Minute: 76 RPM
- 7) Nominal Motor: 2.0 HP (2.2kW)
- 8) Nominal Amps: 3.5A@480V
- 9) System Weight: 365 lbs
- 10) Maximum Mounting Distance Between Fans: 140 FT
- 11) Nominal Clearance From Solid Roof Surfaces: 5 FT



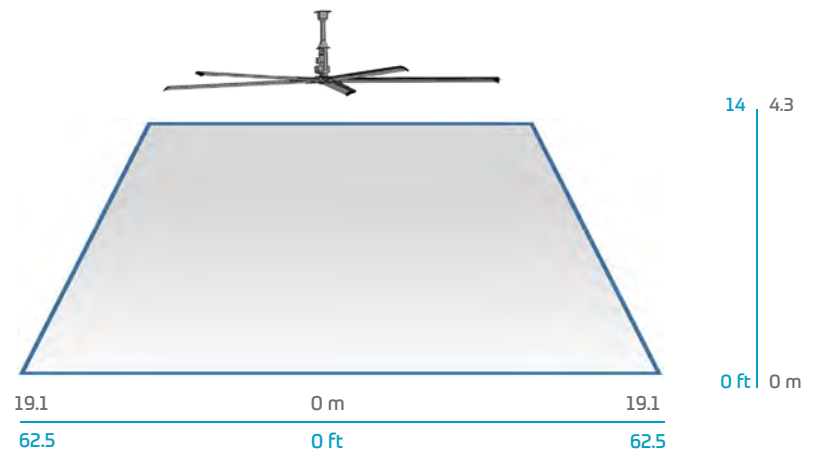
**16' Diameter Fan (nominal)**

- 1) Number of Blades: 5 Patented Z-Tech™ Blades
- 2) Blade Pitch: 20°+
- 3) Minimum Blade Height: 16 FT (Blade from Floor)
- 4) Maximum Cooling Diameter: 140 FT
- 5) Maximum Destratification Coverage: 160 FT
- 6) Nominal Rotations Per Minute: 76 RPM
- 7) Nominal Motor: 2.0 HP (2.2kW)
- 8) Nominal Amps: 2.65A@480V
- 9) System Weight: 325 lbs
- 10) Maximum Mounting Distance Between Fans: 125 FT
- 11) Clearance From Solid Roof Surfaces: 5 FT



**14' Diameter Fan (nominal)**

- 1) Number of Blades: 5 Patented Z-Tech™ Blades
- 2) Blade Pitch: 20°+
- 3) Minimum Blade Height: 14 FT (Blade from Floor)
- 4) Maximum Cooling Diameter: 125 FT
- 5) Maximum Destratification Coverage: 140 FT
- 6) Nominal Rotations Per Minute: 76 RPM
- 7) Nominal Motor: 2.0 HP (2.2 kW)
- 8) Nominal Amps: 2.65A@480V
- 9) System Weight: 315 lbs
- 10) Maximum Mounting Distance Between Fans: 105 FT
- 11) Nominal Clearance From Solid Roof Surfaces: 4 FT



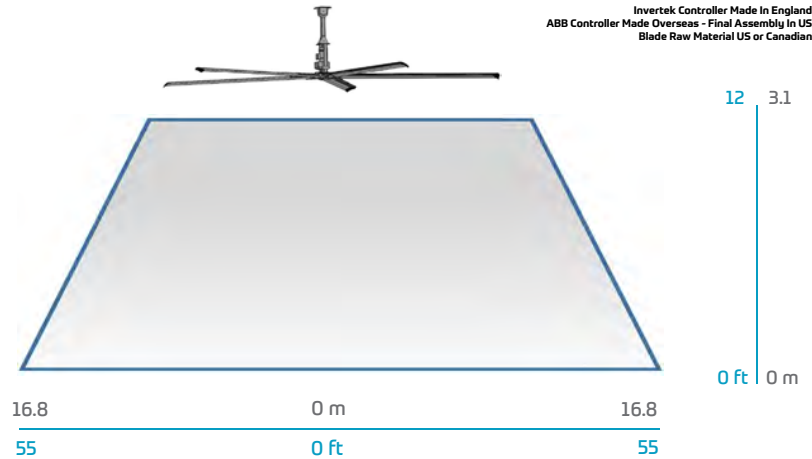


**Supplied By America!**

Invertek Controller Made In England  
ABB Controller Made Overseas - Final Assembly In US  
Blade Raw Material US or Canadian

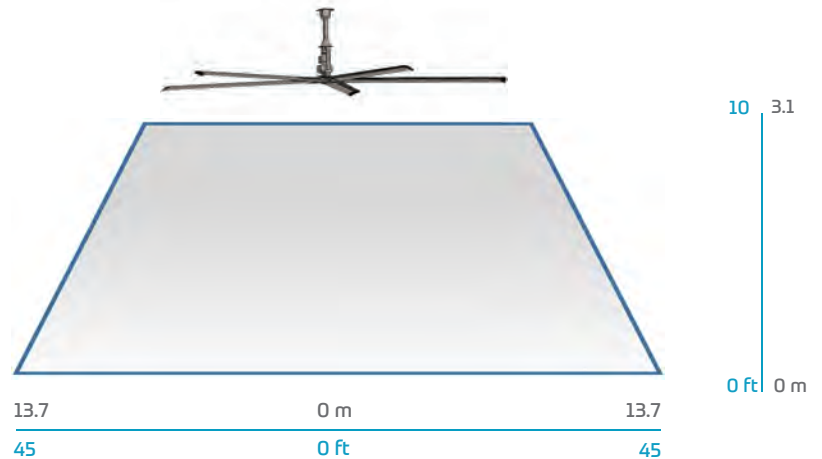
### 12' Diameter Fan (nominal)

- 1) Number of Blades: 5 Patented Z-Tech™ Blades
- 2) Blade Pitch: 20°+
- 3) Minimum Blade Height: 12 FT (Blade from Floor)
- 4) Maximum Cooling Diameter: 110 FT
- 5) Maximum Destratification Coverage: 120 FT
- 6) Nominal Rotations Per Minute: 100 RPM
- 7) Nominal Motor: 2.0 HP (2.2kW)
- 8) Nominal Amps: 2.65A@480V
- 9) System Weight: 305 lbs
- 10) Maximum Mounting Distance Between Fans: 95 FT
- 11) Nominal Clearance From Solid Roof Surfaces: 4 FT



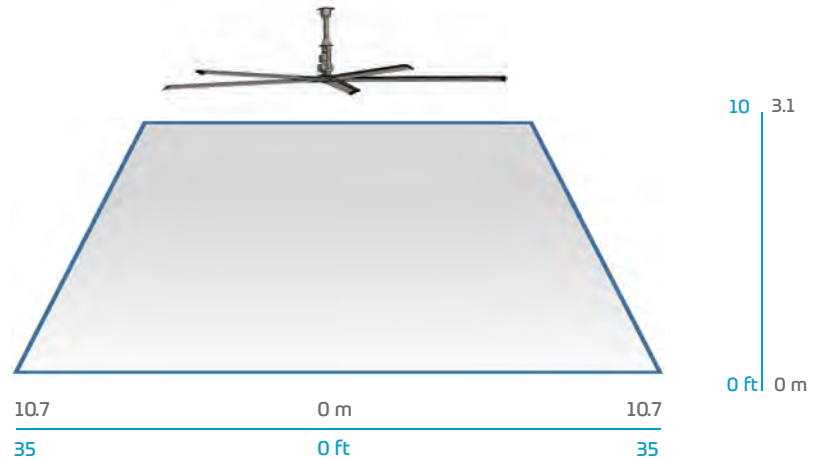
### 10' Diameter Fan (nominal)

- 1) Number of Blades: 5 Patented Z-Tech™ Blades
- 2) Blade Pitch: 20°+
- 3) Minimum Blade Height: 10 FT (Blade from Floor)
- 4) Maximum Cooling Diameter: 90 FT
- 5) Maximum Destratification Coverage: 100 FT
- 6) Nominal Rotations Per Minute: 100 RPM
- 7) Nominal Motor: 2 HP (2.2kW)
- 8) Nominal Amps: 2.65A@480V
- 9) System Weight: 295 lb
- 10) Maximum Mounting Distance Between Fans: 75 FT
- 11) Nominal Clearance From Solid Roof Surfaces: 4 FT



### 8' Diameter Fan (nominal)

- 1) Number of Blades: 5 Patented Z-Tech™ Blades
- 2) Blade Pitch: 20°+
- 3) Minimum Blade Height: 10 FT (Blade from Floor)
- 4) Maximum Cooling Diameter: 70 FT
- 5) Maximum Destratification Coverage: 80 FT
- 6) Nominal Rotations Per Minute: 100 RPM
- 7) Nominal Motor: 2 HP (2.2 kW)
- 8) Nominal Amps: 2.65A@480V
- 9) System Weight: 285 lb
- 10) Maximum Mounting Distance Between Fans: 55 FT
- 11) Nominal Clearance From Solid Roof Surfaces: 4 FT



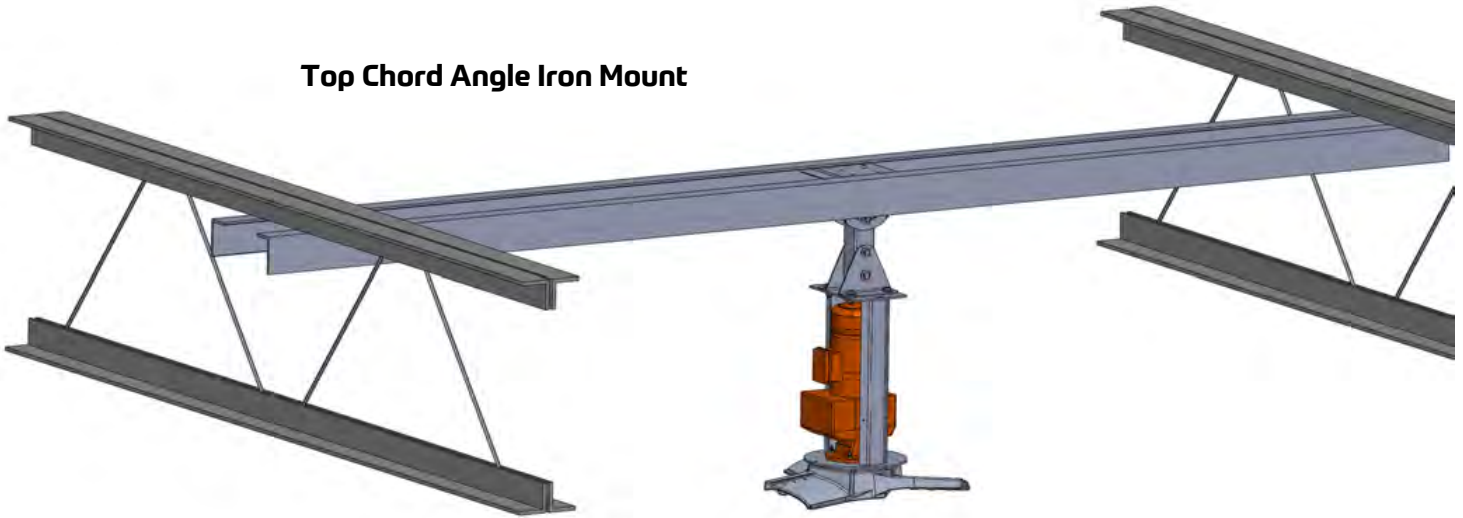
**ADDITIONAL SPECIFICATION NOTES:** See VividAir FAN LOCATION GUIDELINES in this spec sheet for additional details.

1. Minimum 2 FT of clearance from obstructions.
2. Minimum 2 FT below truss with any fan diameter.
3. Should be at least one fan diameter away from a heat source.
4. Should be at least one fan diameter away from any exhaust fan(s).
5. Should be at least one fan diameter away from any wall.
6. Fan should be no closer than 3ft to sprinkler heads (observe local codes).
7. Lights may need to be spaced 2 FT or greater away from the tip of the fan blade to prevent shadowing.



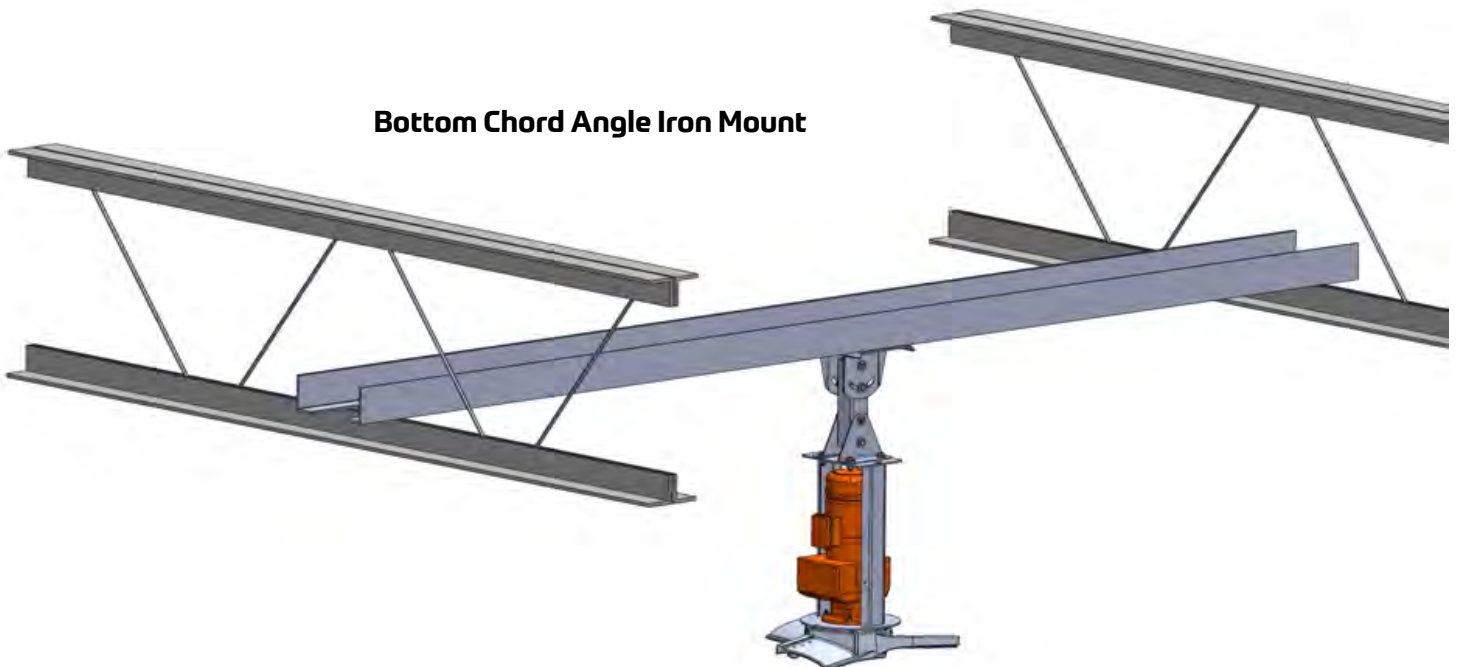
Invertek Controller Made In England  
ABB Controller Made Overseas - Final Assembly In US - Blade Raw Material US or Canadian

### Top Chord Angle Iron Mount



- The 3"x3"x1/4" steel angles must be supplied by the installing contractor. Hardware used to secure the angles to the mounting structure is not included.
- If the truss span is wider than 8 FT (4) steel angles and the XL Mount are required. Reference the Installation & Technical Operations Guide or contact VividAir for additional instructions.

### Bottom Chord Angle Iron Mount



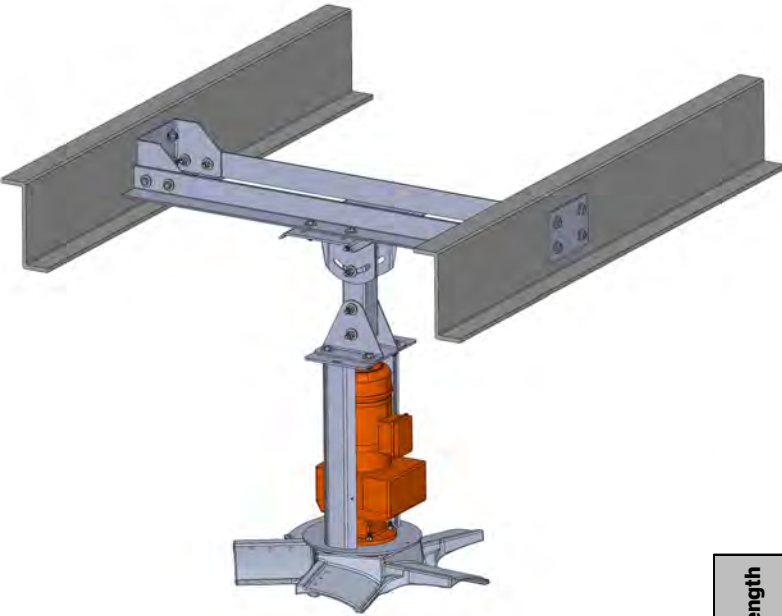
- The 3"x3"x1/4" steel angles must be supplied by the installing contractor. Hardware used to secure the angles to the mounting structure is not included.
- If the truss span is wider than 8 FT (4) steel angles and the XL Mount are required. Reference the Installation & Technical Operations Guide or contact VividAir for additional instructions.





Invertek Controller Made In England  
 ABB Controller Made Overseas - Final Assembly In US - Blade Raw Material US or Canadian

**“Z-Purlin” Mount**



**Z-PURLIN REQUIREMENTS**

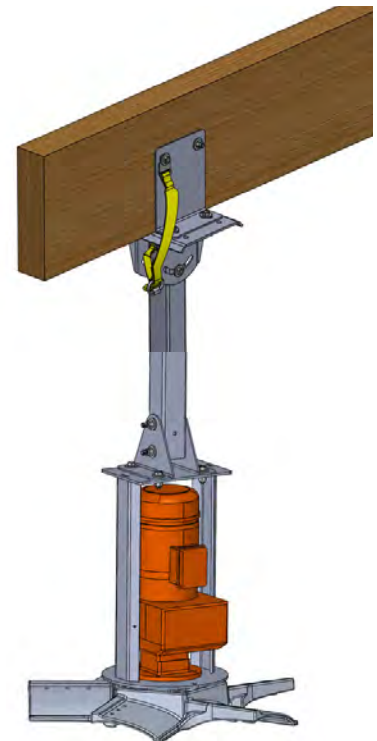
- The 3"x3"x1/4" steel angles must be supplied by the installing contractor.
- Maximum unsupported length (see chart below).
- Spacing between Z-Purlins should 5 FT or less.
- Z-Purlins must be a minimum of 14 gauge steel.
- This mounting system may also be required to span concrete beams.
- Consult a local structural engineer for any concrete beam applications.

		Purlin Height		
		8" (20.3 cm)	9" (22.9 cm )	10" (25.4 cm )
Purlin Length	<20' (6.1 m)	Intended use	Intended Use	Intended Use
	<25' (7.6 m)	<b>DO NOT USE</b>	Intended Use	Intended Use
	<30' (9.1 m)	<b>DO NOT USE</b>	<b>DO NOT USE</b>	Intended Use

**Wood Beam Mount**

Installing contractor must supply L-bracket anchor hardware as described below:

- (2) 1/2"-13 x "1 1/2" longer than the support structure" Grade 8 Hex Cap Screw
- (4) 1/2" ASTM F436 Type 1 Grade 8 Mechanical Galvanized Steel Structural Flat Washer
- (2) 1/2"-13 Grade 8 Steel Nylock Nut





## VividAir & ABB VARIABLE FREQUENCY DRIVES Supplied By America!

Invertek Controller Made In England  
ABB Controller Made Overseas - Final Assembly In US - Blade Raw Material US or Canadian

### VividAir VFD Controller

- 200-240V 1 Phase
- 200-240V 3 Phase
- 280-480V 3 Phase

### ABB ACS255 VFD Controller

- 200-240V 1 Phase

### ABB ASC355 VFD Controller

- 200-240V 3 Phase
- 380-480V 3 Phase



Wall Mount Keypad



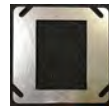
Wall Mount Keypad Adapter Plate



Wall Mount Keypad



Wall Mount Keypad Adapter Plate



Keypad relocated to 4x4 electrical box



Shown with customer supplied lockable / slotted cover



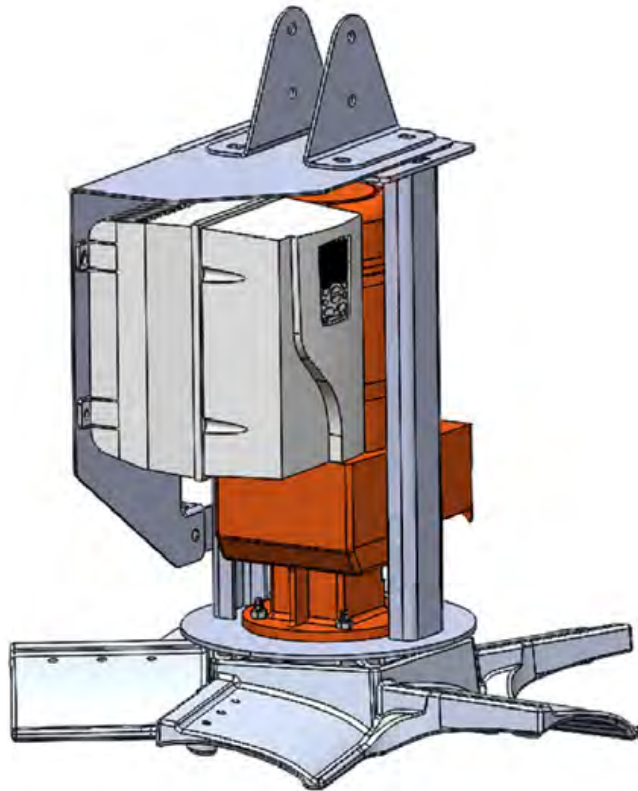
## Fan Controls **ROHS** COMPLIANT

- ABB Variable Frequency Drive Enclosure - Nema 4X (IP66).
- Special Wiring (Thermostats, Fire Alarm Interface, Networking, Etc.) (Optional) Consult Factory.
- 50 / 60 Hz Operation.
- All VividAir Z-Tech™ Controls ship standard with an Early Suppression Fast Response Relay ready to connect to existing fire suppression systems.
- VividAir Z-Tech™ Fan Controls ship standard with an integral Lock Out Tag Out Disconnect.
- All fans require their own VFD Controller but multiple fans may be controlled from a single keypad (additional wiring required)



**Supplied By America!**

Invertek Controller Made In England  
ABB Controller Made Overseas - Final Assembly In US - Blade Raw Material US or Canadian



- Available for an additional charge with all VividAir VFD Controllers
- Fan Mounted Control option locates the VFD Controller on a bracket mounting directly to the fan frame.
  - VividAir - Access to the VFD is available without fan disassembly.
  - 8-10 airfoil fans - One airfoil must be removed to access the VFD for service work.
- The Wall Mount Keypad option is included in the cost of this option.
- VividAir provides a 10 FT and a 100 FT data cable to connect the Wall Mount Keypad option. Longer cable is installing contractor provided.